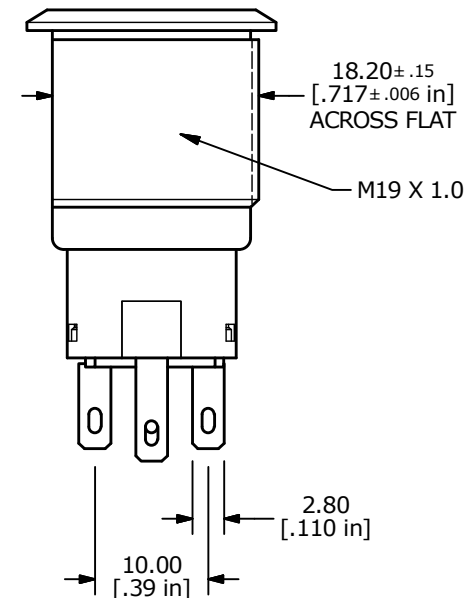
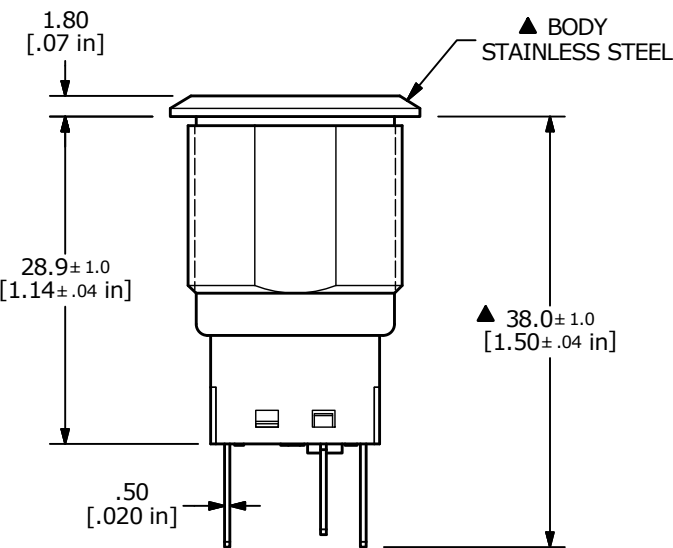
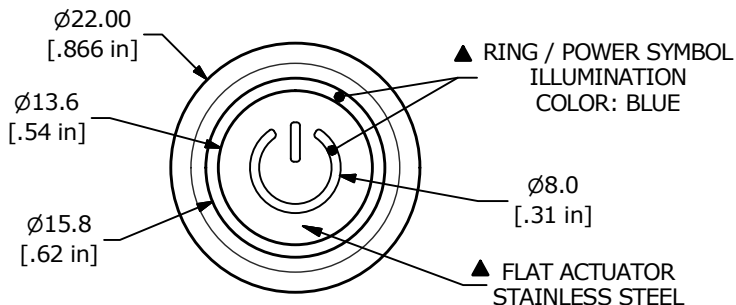
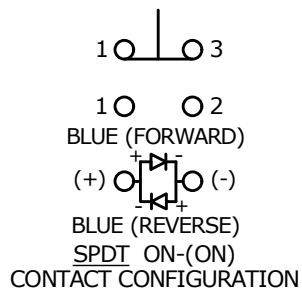


Recommended PANEL CUTOUT
MAX. PANEL THICKNESS:
11.0 [.43in]

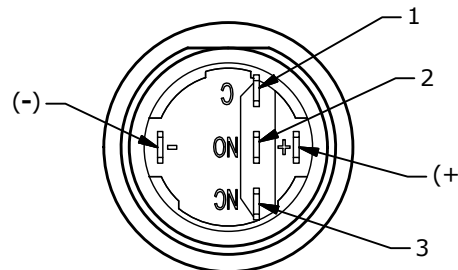


SWITCH FUNCTION	
POS. 1	POS. 2
ON	(ON)
1-3	(1-2)



NOTE:

- ALL DIMENSIONS IN MM [INCH]
- GENERAL TOLERANCE: X.X ± 0.4
X.XX ± 0.25
- TERMINAL NUMBERS FOR REF ONLY
- CONTACT MATERIAL: GOLD
- RATING: 2A 24VDC
- ELECTRIC LIFE: 50,000 MAKE-AND-BREAK CYCLES AT FULL LOAD.
- INSULATION RESISTANCE: 1,000 MΩ MIN.
- DIELECTRIC STRENGTH: 2,000 VAC MIN. FOR 1 MINUTE
- CONTACT RESISTANCE: 50mΩ MAX. @ 1A 12VDC
- OPERATING TEMP.: -20°C to 55°C
- TRAVEL: 2.8mm
- ▲ DENOTES CRITICAL PARAMETER.
- LAMP VOLTAGE: 2.8V
- INGRESS PROTECTION: IP65
- HARDWARE SUPPLIED: O-RING AND HEXNUT



TITLE PV4F2B0SSG-341-M26

A	23380	New Release	5/29/18	MW
REV	PCR NO	DESCRIPTION	DATE	BY

SCALE	DATE	DR	DWG	REV
3:2	5/29/2018	MW	52-PV4S00269	A

THE INFORMATION CONTAINED IN THIS DOCUMENT IS PROPRIETARY TO E-SWITCH AND IS NOT TO BE COPIED OR TRANSFERRED